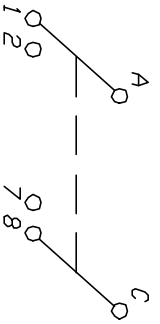
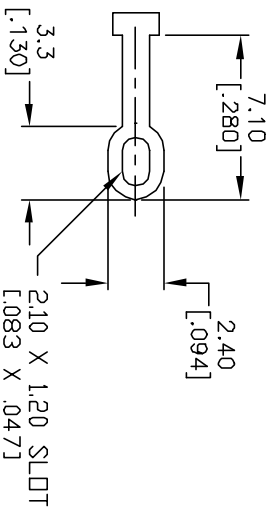


NOTES:

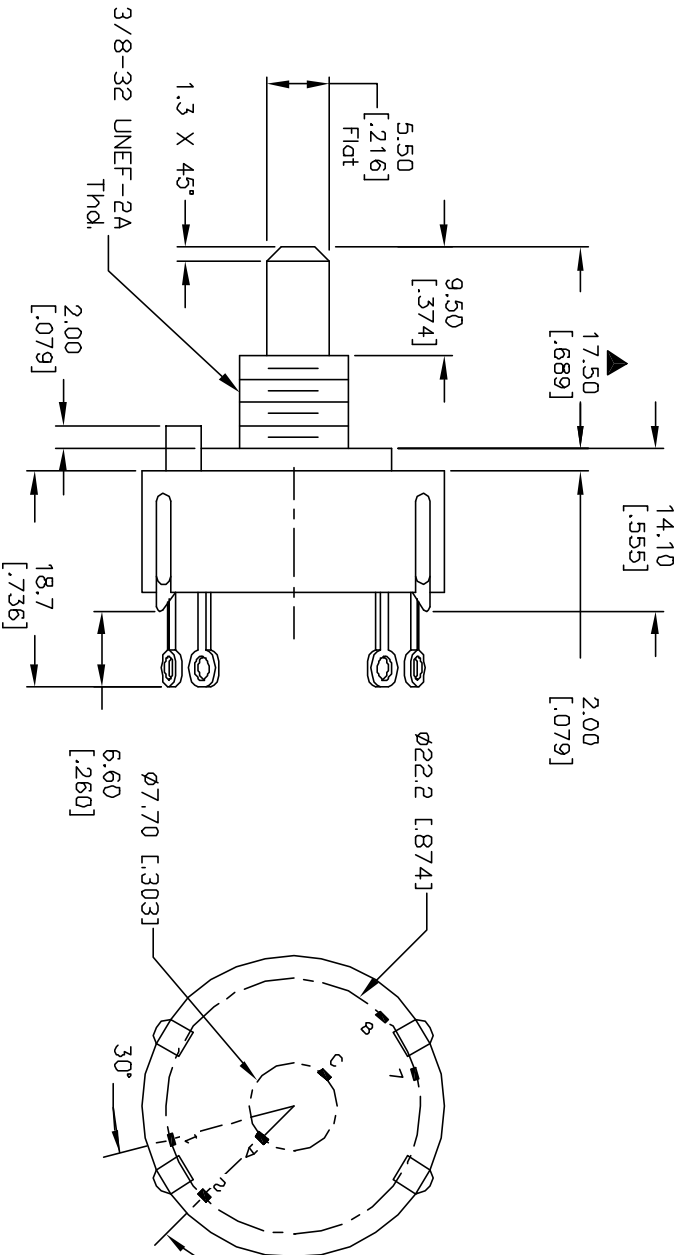
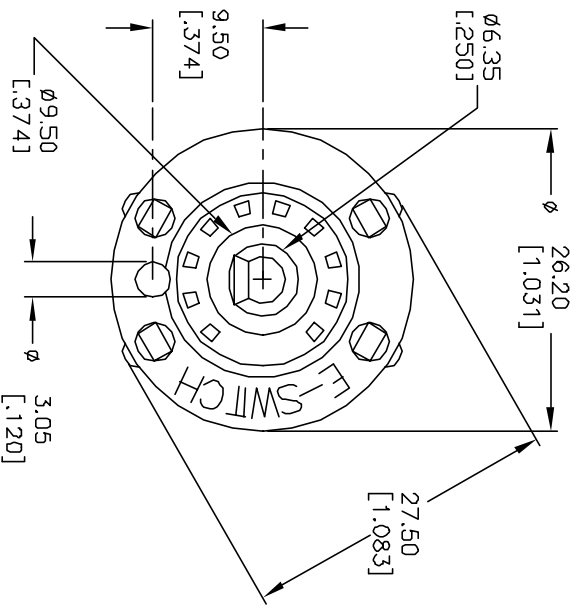
1. ALL DIMENSION IN MM [INCH]
2. GENERAL TOLERANCE: X.X=±0.4
X.XX=±0.25
3. TERM. NOS. FOR REF. ONLY
4. CONTACT RATING SWITCHING: 150mA, 250V AC/DC
350mA, 110V AC/DC
5. OPERATING FORCE: 425±100 CM/STANDARD
6. OPERATING TEMP: -30° to 85°C
7. CIRCUIT DP: DT POS., 30° INDEX.
8. DIELECTRIC STRENGTH: 1000V RMS min.@Sea Level
9. DESIGNATE MAJOR DIMENSIONS
10. LOCK NUT AND WASHER NOT SHOWN.



CONTACT CONFIGURATION (BBM)



TERMINATION DETAIL SCALE 2X



E-SWITCH®

REV. A		11281		RELEASED FOR PRODUCTION		5/29/01		CJB	
REV. A		ECN No.		DESCRIPTION		DATE		CHKD	
<p>THE INFORMATION CONTAINED IN THIS DOCUMENT IS PROPRIETARY TO E-SWITCH AND IS NOT TO BE COPIED OR TRANSFERRED</p>									
TITLE									
SCALE 1.5:1									
DATE 5/29/01									
DR CJB DWG G510581									
REV A									
KC-22-E-01-N-L-S									